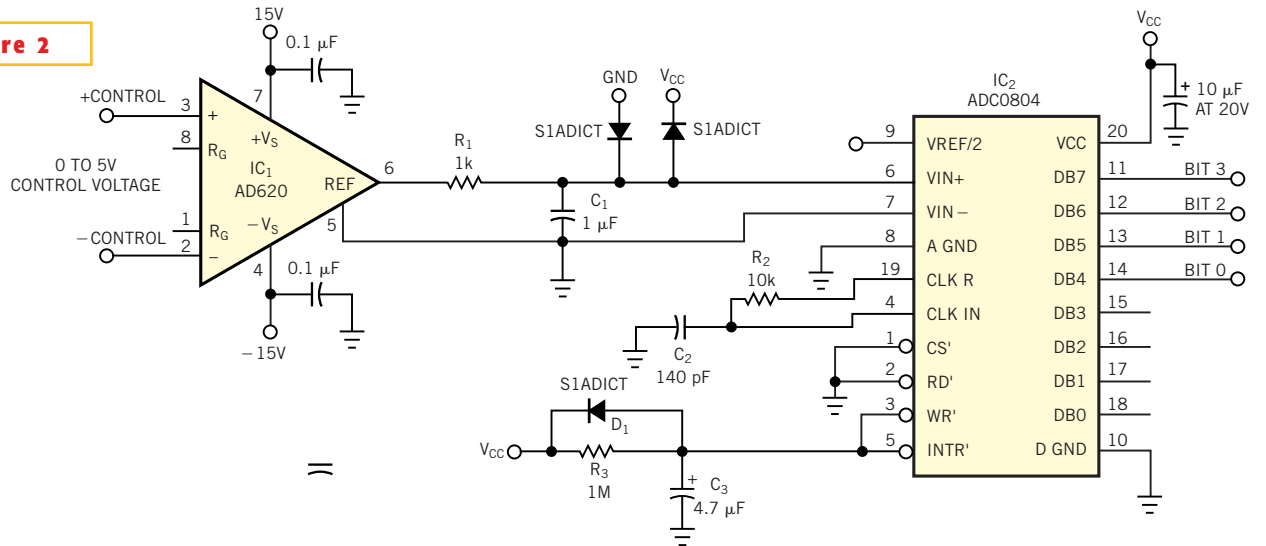


Figure 2



An ADC controls the gain-setting codes for the circuit in Figure 1.